

Air scrubbers for the tobacco industry



eltecna ag | Rautistrasse 60 | 8048 Zürich | Switzerland

Phone +41 44 404 36 36

info@eltecna.ch

www.eltecna.ch

High efficiency scrubbers for the tobacco industry



Our company was founded in 1958, therefore we have over 50 years of experience in the field of air pollution control.

A large number of our scrubbers and filters have been operating for many years all over the world and are providing the desired cleaning and filtering effect.

■

High efficiency, self-cleaning, skimming off the scrubber water surface and low water consumption are the advantages of our scrubbers.

All parts are made of stainless steel. Even the pump is a stainless steel cast.

Our Scrubbers, including the pump, are high quality products made in Switzerland.

Usually, our scrubbers are delivered prewired with its own control panel and control system. Alternatively, they can be connected to any common locally available control system.

The water consumption can be reduced to a minimum with an integrated band filter unit. The band filter is installed in between the water outlet of the scrubber and the inlet to the water storage tank.

■

Due to the perforated air washing plate and the special high efficiency droplet separator, self-cleaning is assured and the scrubber is able to fulfil its function even on high dust loads.





Siemens control systems are utilized by default, but connections to net systems can be provided.

The scrubber parameters are easily adjusted to the customers' needs.



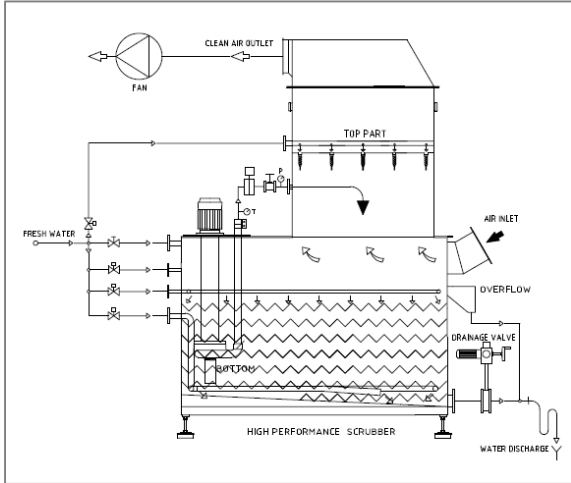
The air scrubbing takes place on the top of the perforated washing plate.

Due to the high air velocity and the downwards pouring scrubber water, a highly efficient air cleaning process is ensured.

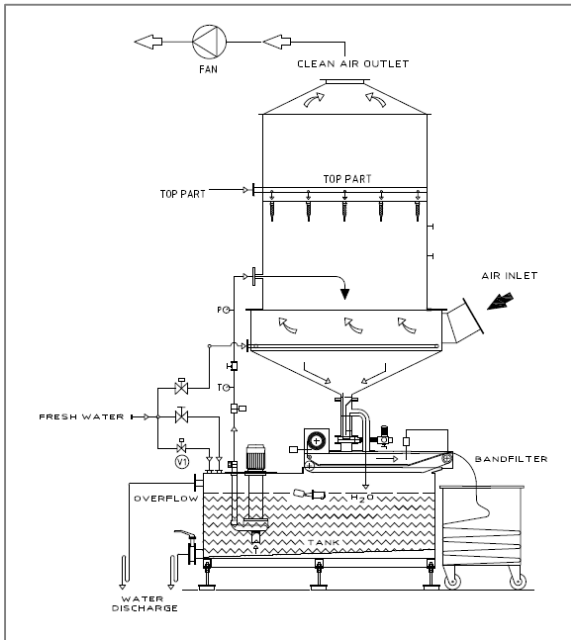
The entire system, including the special droplet separator, is operating on a low pressure level. This leads to energy efficient operation.



Big inspection doors are installed on all parts of the scrubber.



Scrubber and its function



Scrubber with band filter and its function

Available scrubber sizes (bigger sizes also available, please contact us)

Scrubber Type	Max. air flow m ³ / h	Min. air flow m ³ / h	Water flow m ³ / h	Water content Litre	Material weight kg	Operating weight kg
1,5	1500	1000	1,25	800	600	1400
3	3000	2000	2,5	800	800	1600
5	5000	3400	3,0	800	950	1750
7,5	7500	5100	4,2	1000	1150	2150
10	10000	6700	4,2	1200	1500	2700
12	12000	8000	5,0	1800	1900	3700
15	15000	10000	6,0	2100	2300	4400
17	17500	12000	8,5	2200	2500	4700
20	20000	13400	8,5	3000	2600	5600